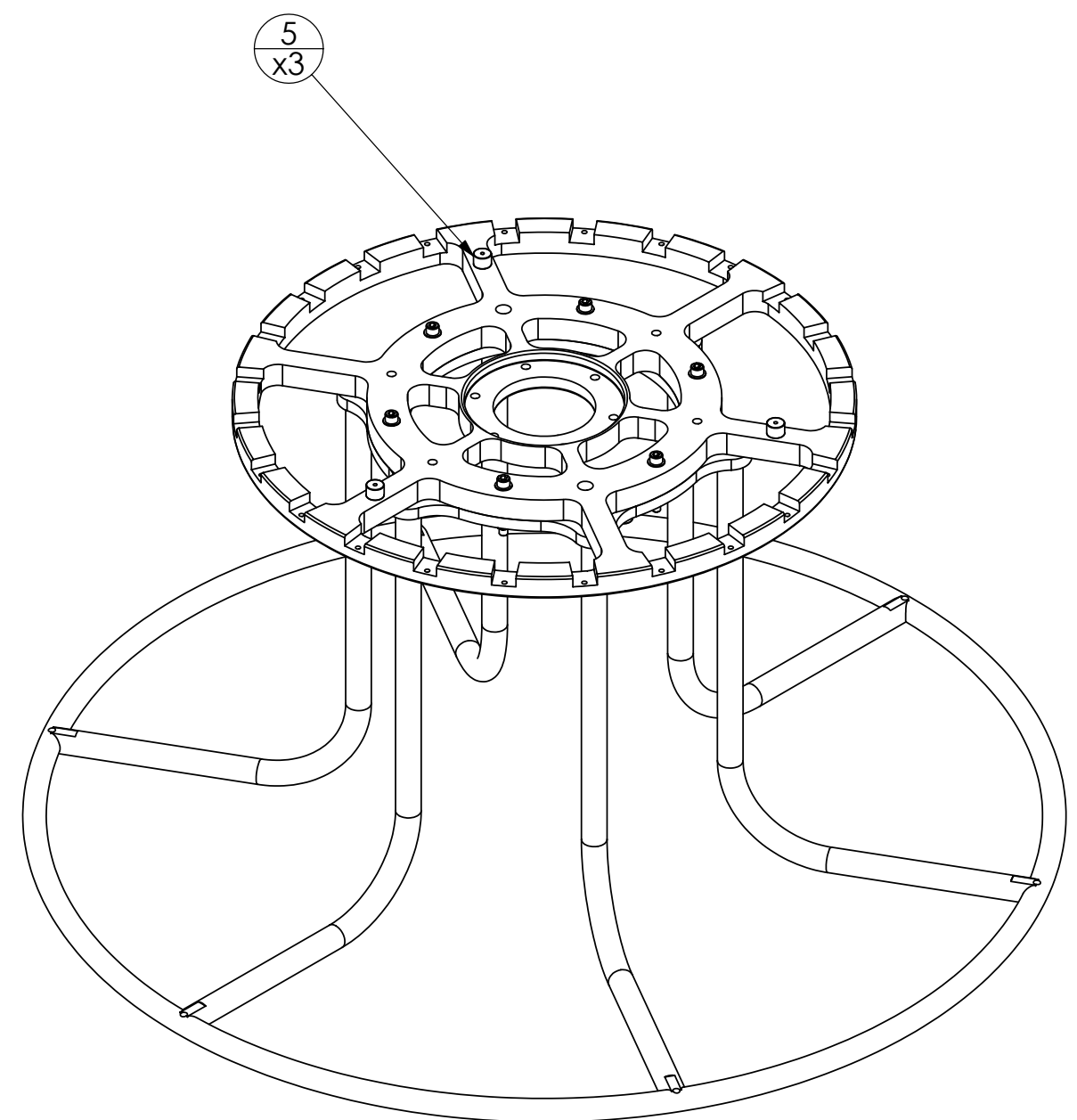
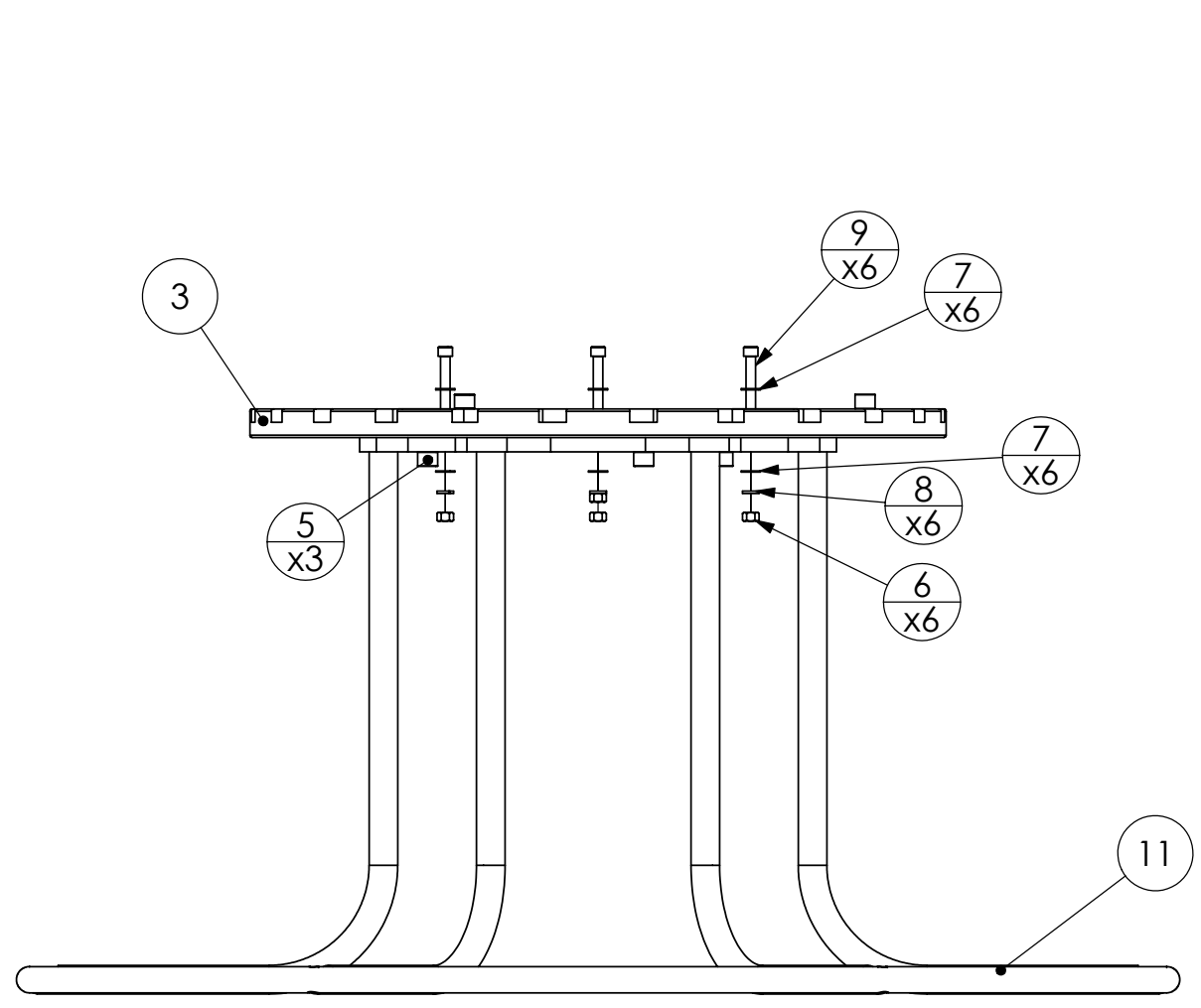


REVISIONS				
ZONE	REV.	DESCRIPTION	DATE	APPROVED



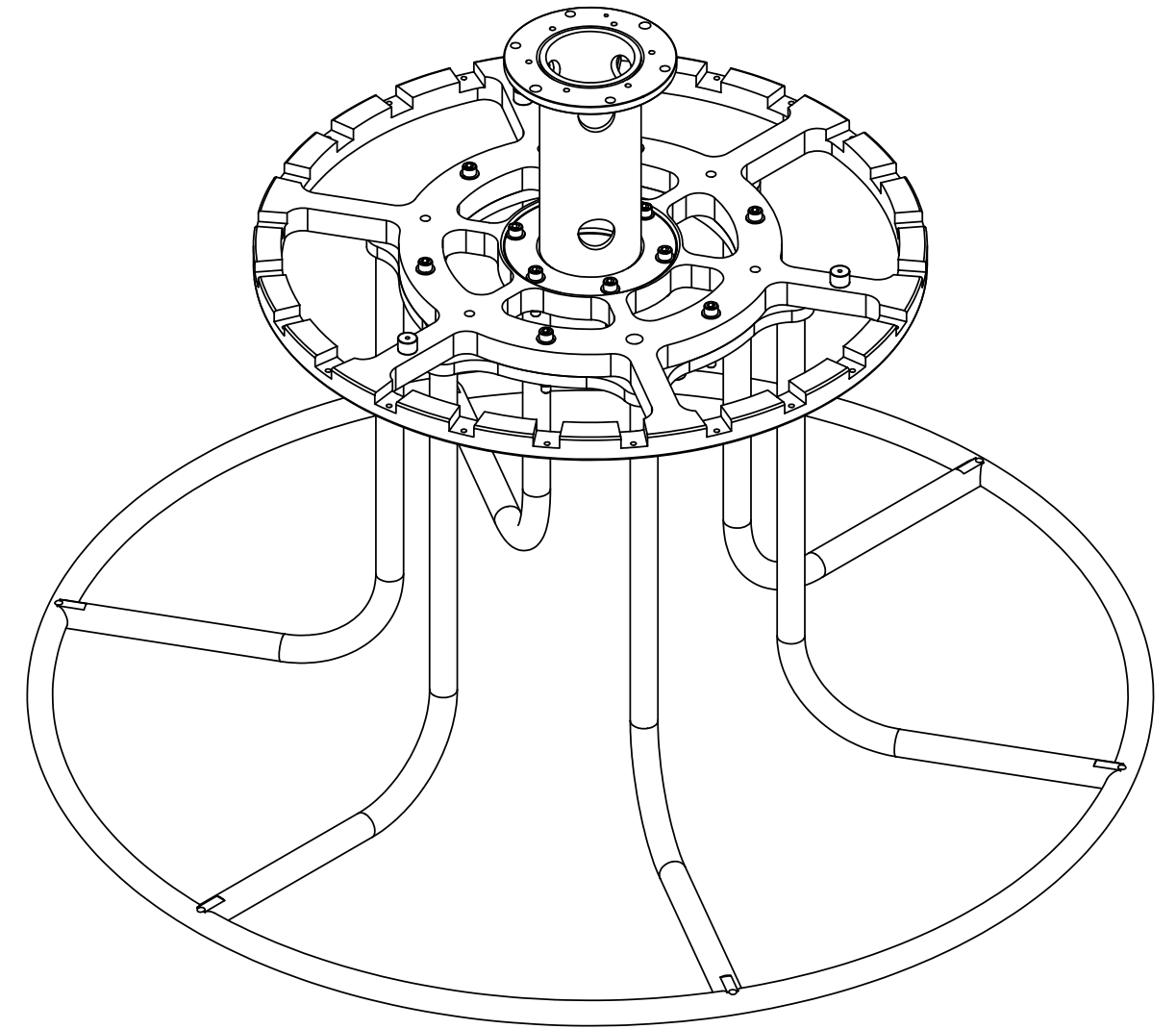
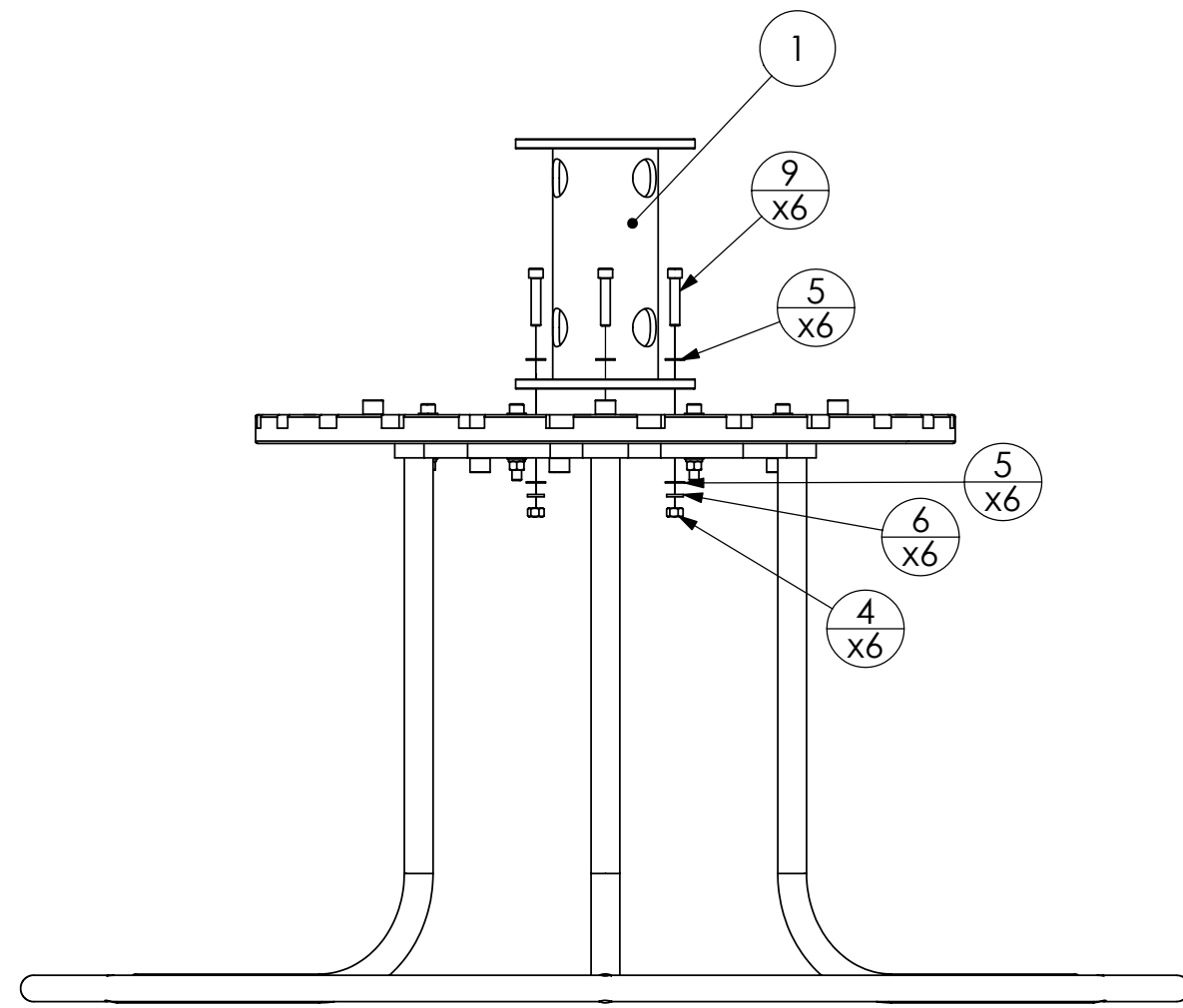
ITEM NO.	PART NUMBER	DESCRIPTION	bottom plate/QTY.
3	23717	SB3-32 BOTTOM ADAPTER PLATE	1
5	30044	SEACAT ANODE, 1" DIA., G1050	6
6	30231	NUT, 1/2-13 HEX, SS	6
7	30259	WASHER, 1/2" FLAT/NARROW, AN960C816L, SS	12
8	30594	WASHER, 1/2" SPLIT RING LOCK, SS	6
9	30603	CAP SCREW, 1/2-13 X 3-1/2" SOCKET HEAD, SS	6
11	23783	SBE32 CAROUSEL 24 PLACE 12 LITER LOWER GUARD	1
12	23781	SBE-32 CAROUSEL 24 PLACE 5-12 LITER GUARD SIDE BAR 1	3
13	23782	SBE-32 CAROUSEL 24 PLACE 5-12 LITER GUARD SIDE BAR 2	3

UNLESS OTHERWISE SPECIFIED:		NAME	DATE	SEA-BIRD ELECTRONICS, INC. 1808 - 136th PLACE NE, BELLEVUE, WA 98005 425-643-9866
DIMENSIONS ARE IN INCHES		DRAWN	KLP 8.25.05	
TOLERANCES:		PROPRIETARY AND CONFIDENTIAL		TITLE:
FRACTIONAL ±		THE INFORMATION CONTAINED IN THIS DRAWING IS THE SOLE PROPERTY OF SEA-BIRD ELECTRONICS, INC. ANY REPRODUCTION IN PART OR AS A WHOLE WITHOUT THE WRITTEN PERMISSION OF SEA-BIRD ELECTRONICS, INC. IS PROHIBITED.		1.375" frame, 24 place, 12 liter
ANGULAR: ± 2 BEND ±		COMMENTS:		P/N: none
.XX ± .01 TYP RAD .015		DEBUR AND BREAK SHARP EDGES		SIZE DWG. NO. REV
.XXX ± .005		Old Part/Draw Info		B 41437
MACHINED SURFACES		N/A /N/A		SCALE: 1:2 SHEET 1 OF 6
INTERPRET GEOMETRIC TOLERANCING PER: ANSI Y14.5M - 1994		DO NOT SCALE DRAWING		
MATERIAL				
na				
FINISH				
N/A				

REVISIONS				
ZONE	REV.	DESCRIPTION	DATE	APPROVED

D

D



C

C

B

B

ITEM NO.	PART NUMBER	DESCRIPTION	hub/QTY.
1	23668	SBE32 HUB	1
4	30231	NUT, 1/2-13 HEX, SS	12
5	30259	WASHER, 1/2" FLAT/NARROW, AN960C816L, SS	24
6	30594	WASHER, 1/2" SPLIT RING LOCK, SS	12
9	30612	CAP SCREW, 1/2-13 X 2-1/2" SOCKET HEAD, SS	6
10	23783	SBE32 CAROUSEL 24 PLACE 12 LITER LOWER GUARD	1
11	23782	SBE-32 CAROUSEL 24 PLACE 5-12 LITER GUARD SIDE BAR 2	2
12	23781	SBE-32 CAROUSEL 24 PLACE 5-12 LITER GUARD SIDE BAR 1	2

A

A

UNLESS OTHERWISE SPECIFIED: DIMENSIONS ARE IN INCHES TOLERANCES: FRACTIONAL ± ANGULAR: ± 2 BEND ± .X ± .1 TYP RAD .015 .XX ± .01 .XXX ± .005 MACHINED SURFACES		NAME DRAWN KLP	DATE 8.25.05	SEA-BIRD ELECTRONICS, INC. 1808 - 136th PLACE NE, BELLEVUE, WA 98005 425-643-9866 TITLE: 1.375" frame, 24 place, 12 liter
INTERPRET GEOMETRIC TOLERANCING PER: ANSI Y14.5M - 1994	MATERIAL na	PROPRIETARY AND CONFIDENTIAL THE INFORMATION CONTAINED IN THIS DRAWING IS THE SOLE PROPERTY OF SEA-BIRD ELECTRONICS, INC. ANY REPRODUCTION IN PART OR AS A WHOLE WITHOUT THE WRITTEN PERMISSION OF SEA-BIRD ELECTRONICS, INC. IS PROHIBITED. COMMENTS: DEBUR AND BREAK SHARP EDGES		
FINISH N/A	DO NOT SCALE DRAWING	Old Part/Draw Info N/A /N/A		P/N: none
		SIZE B	DWG. NO. 41437	REV
		SCALE: 1:2	SHEET 2 OF 6	

8

7

6

5

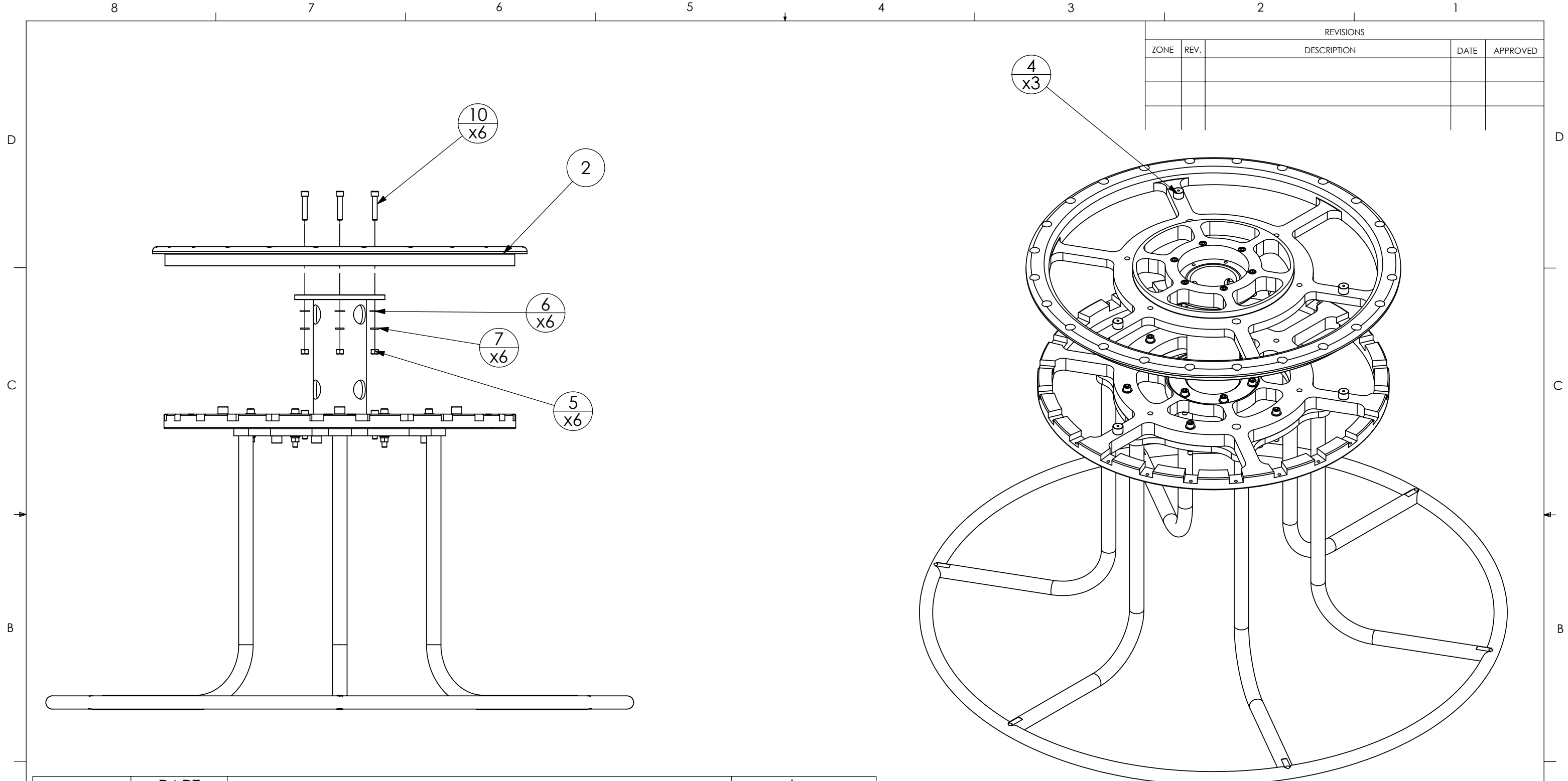
4

3

2

1

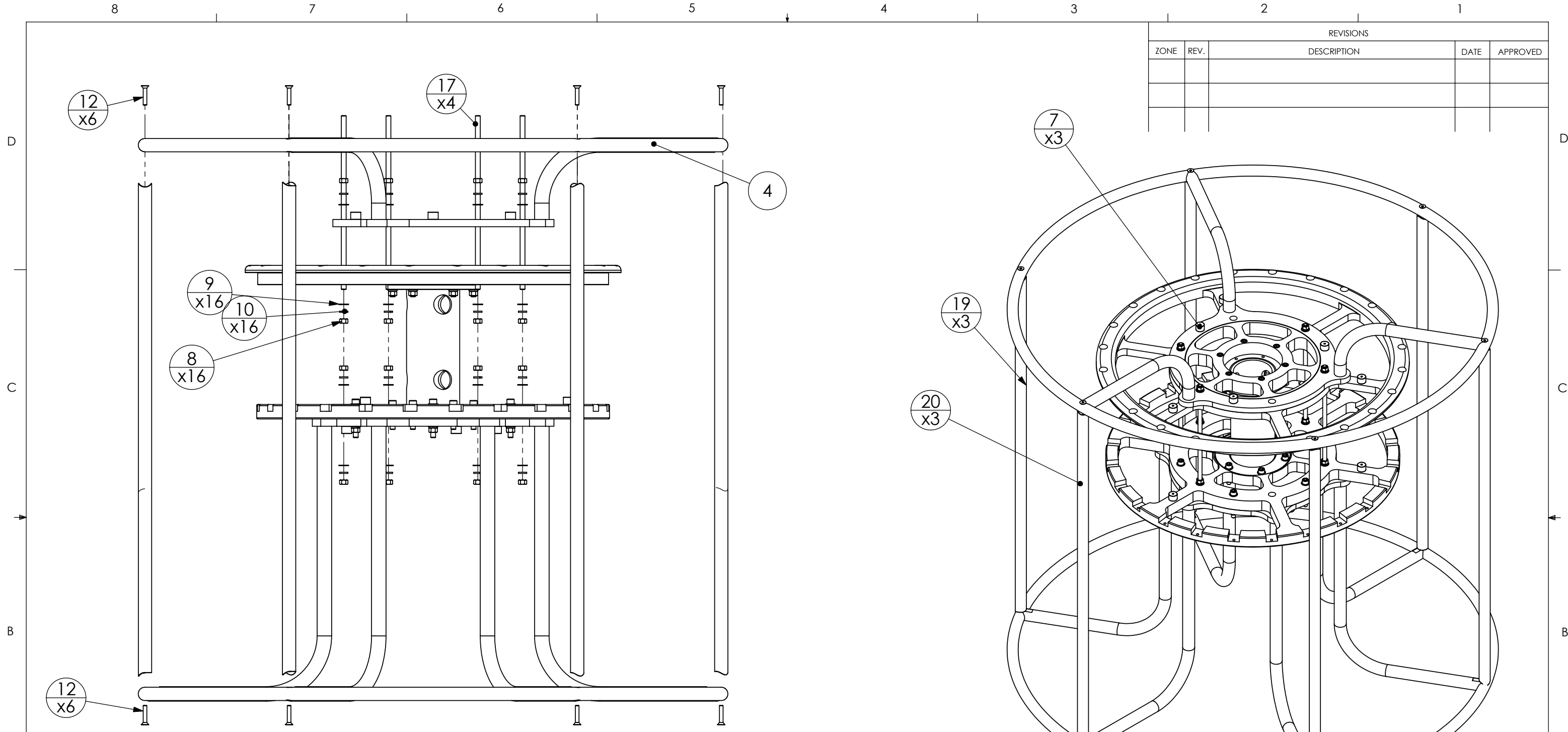
1



REVISIONS				
ZONE	REV.	DESCRIPTION	DATE	APPROVED

ITEM NO.	PART NUMBER	DESCRIPTION	top plate/QTY.
2	23716	SBE-32 TOP ADAPTER PLATE	1
4	30044	SEACAT ANODE, 1" DIA., G1050	9
5	30231	NUT, 1/2-13 HEX, SS	18
6	30259	WASHER, 1/2" FLAT/NARROW, AN960C816L, SS	30
7	30594	WASHER, 1/2" SPLIT RING LOCK, SS	18
10	30612	CAP SCREW, 1/2-13 X 2-1/2" SOCKET HEAD, SS	12
11	23783	SBE32 CAROUSEL 24 PLACE 12 LITER LOWER GUARD	1
12	23782	SBE-32 CAROUSEL 24 PLACE 5-12 LITER GUARD SIDE BAR 2	2
13	23781	SBE-32 CAROUSEL 24 PLACE 5-12 LITER GUARD SIDE BAR 1	2

UNLESS OTHERWISE SPECIFIED: DIMENSIONS ARE IN INCHES TOLERANCES: FRACTIONAL ± ANGULAR: ± 2 BEND ± .X ± .1 TYP RAD .015 .XX ± .01 .XXX ± .005 MACHINED SURFACES INTERPRET GEOMETRIC TOLERANCING PER: ANSI Y14.5M - 1994 MATERIAL na FINISH N/A DO NOT SCALE DRAWING	NAME	DATE	SEA-BIRD ELECTRONICS, INC. 1808 - 136th PLACE NE, BELLEVUE, WA 98005 425-643-9866 TITLE: 1.375" frame, 24 place, 12 liter P/N: none	
	DRAWN	KLP 8.25.05		
	PROPRIETARY AND CONFIDENTIAL THE INFORMATION CONTAINED IN THIS DRAWING IS THE SOLE PROPERTY OF SEA-BIRD ELECTRONICS, INC. ANY REPRODUCTION IN PART OR AS A WHOLE WITHOUT THE WRITTEN PERMISSION OF SEA-BIRD ELECTRONICS, INC. IS PROHIBITED. COMMENTS: DEBUR AND BREAK SHARP EDGES	SIZE	DWG. NO.	REV
	Old Part/Draw Info	B	41437	
	N/A	/N/A	SCALE: 1:2	SHEET 3 OF 6

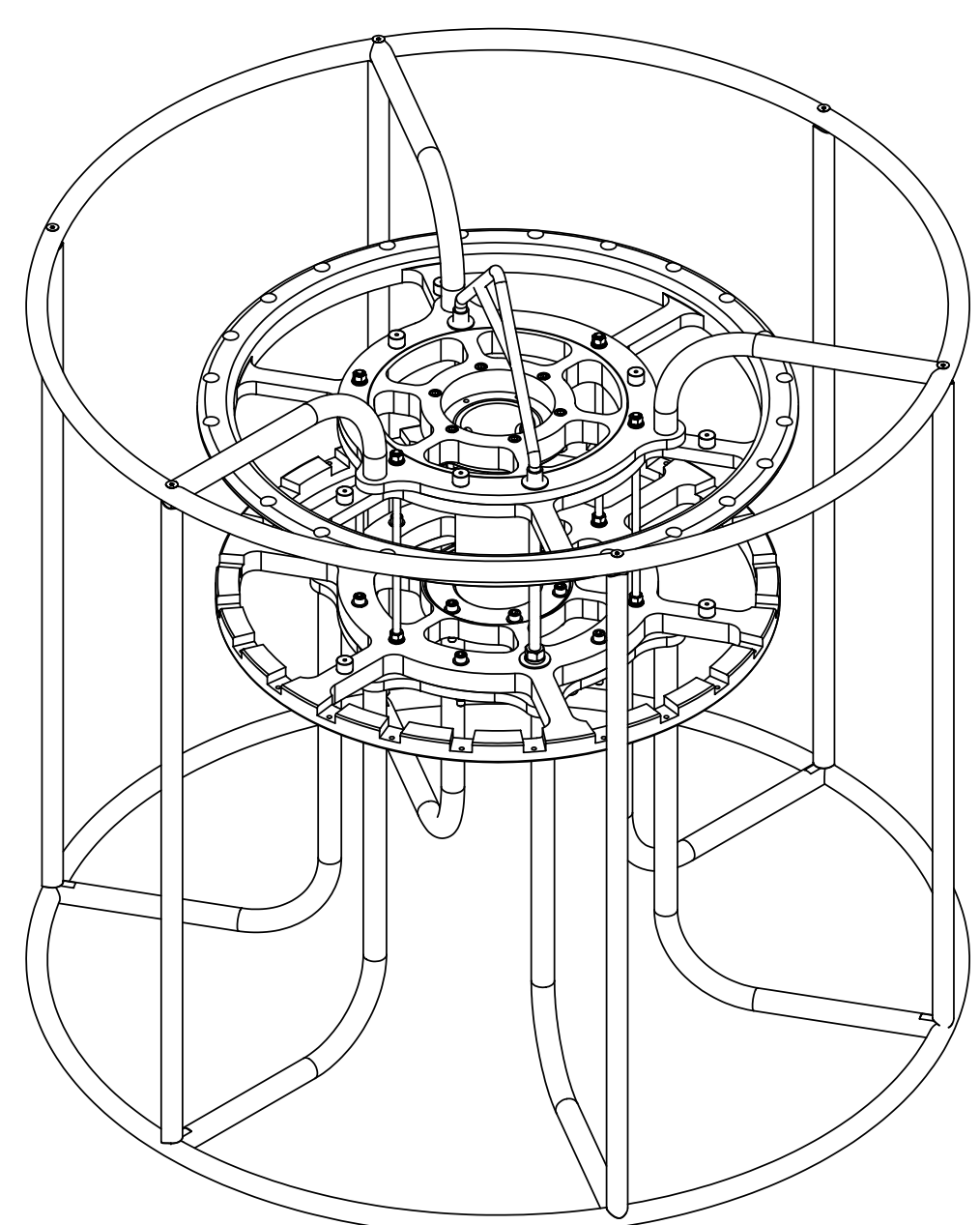
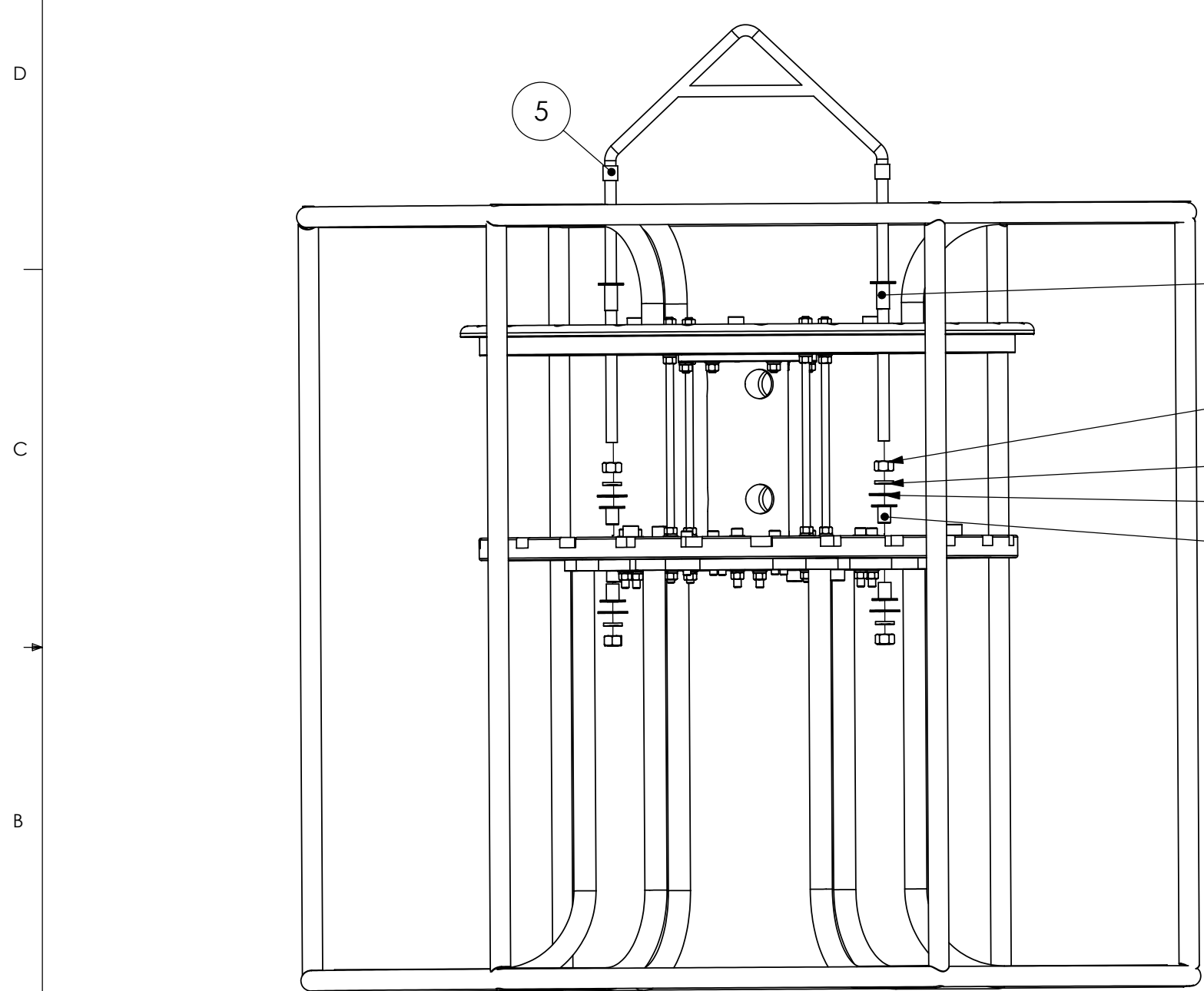


REVISIONS				
ZONE	REV.	DESCRIPTION	DATE	APPROVED

ITEM NO.	PART NUMBER	DESCRIPTION	top guard/QTY.
4	23720	SBE32 CAROUSEL 24 PLACE 5-12 LITER UPPER GUARD	1
7	30044	SEACAT ANODE, 1" DIA., G1050	12
8	30231	NUT, 1/2-13 HEX, SS	34
9	30259	WASHER, 1/2" FLAT/NARROW, AN960C816L, SS	46
10	30594	WASHER, 1/2" SPLIT RING LOCK, SS	34
12	30611	3/8-16 X 2" FLAT HEAD SOCKET, SS	12
17	231421	ROD, 1/2-13 THREADED 18" LENGTH, SS	4
18	23783	SBE32 CAROUSEL 24 PLACE 12 LITER LOWER GUARD	1
19	23781	SBE-32 CAROUSEL 24 PLACE 5-12 LITER GUARD SIDE BAR 1	3
20	23782	SBE-32 CAROUSEL 24 PLACE 5-12 LITER GUARD SIDE BAR 2	3

UNLESS OTHERWISE SPECIFIED: DIMENSIONS ARE IN INCHES TOLERANCES: FRACTIONAL ± ANGULAR: ± 2 BEND ± .X ± .1 TYP RAD .015 .XX ± .01 .XXX ± .005 MACHINED SURFACES INTERPRET GEOMETRIC TOLERANCING PER: ANSI Y14.5M - 1994 MATERIAL na FINISH N/A DO NOT SCALE DRAWING	NAME	DATE	SEA-BIRD ELECTRONICS, INC. 1808 - 136th PLACE NE, BELLEVUE, WA 98005 425-643-9866 TITLE: 1.375" frame, 24 place, 12 liter P/N: none
	DRAWN	KLP 8.25.05	
	SIZE	DWG. NO.	REV
	B	41437	
SCALE: 1:2		SHEET 4 OF 6	

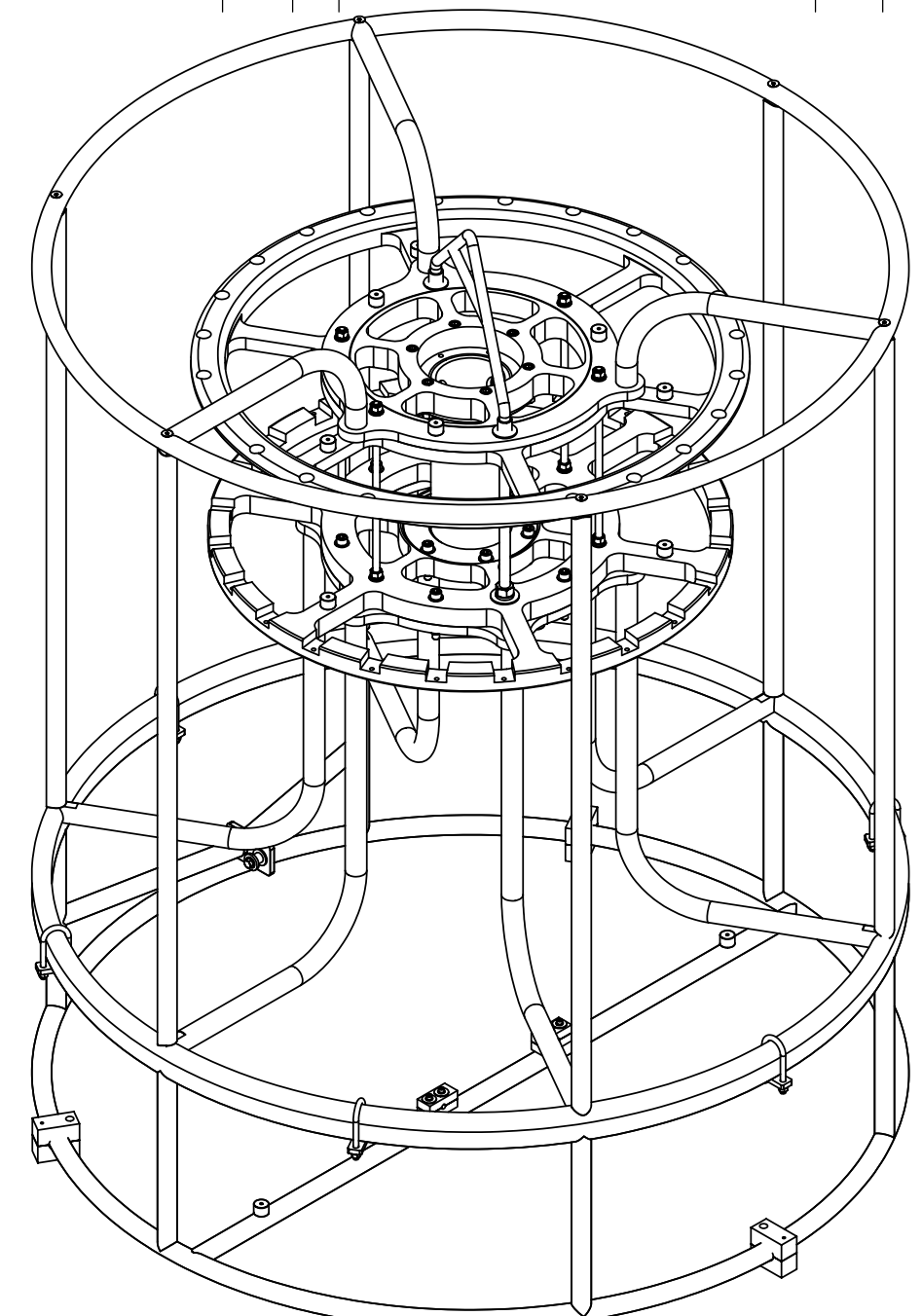
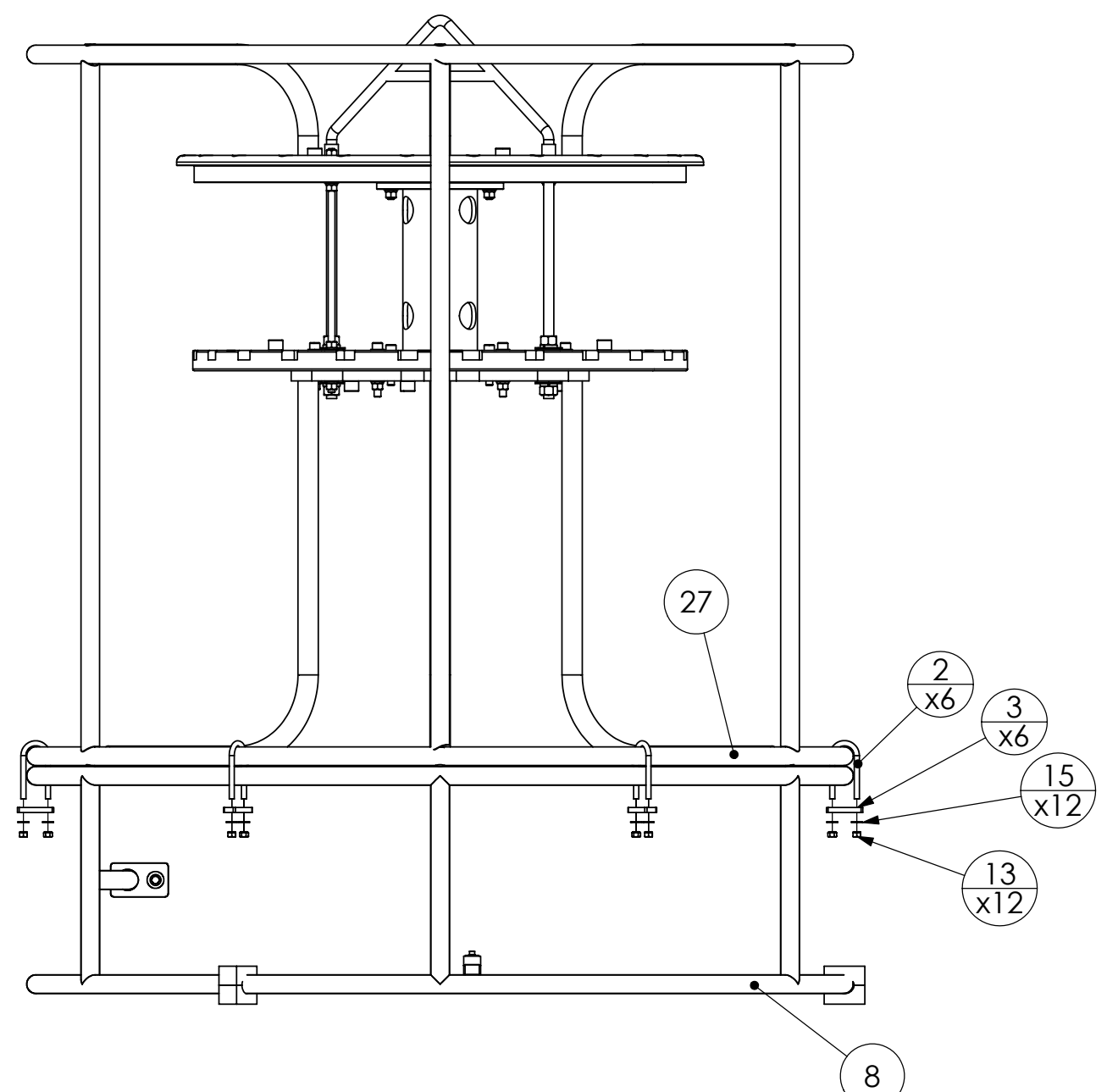
REVISIONS				
ZONE	REV.	DESCRIPTION	DATE	APPROVED



ITEM NO.	PART NUMBER	DESCRIPTION	lifting bale/QTY.
5	23723	SBE-32 LIFTING BALE 24LB	1
6	23922	SBE-32 LARGE BAIL INSULATOR	4
7	23923	SBE-32 LARGE BAIL INSULATOR	2
15	30615	WASHER, 3/4" FLAT, SS	4
16	30616	WASHER, 3/4" SPLIT RING LOCK, SS	4
17	30620	NUT, 3/4-10 NC HEX, SS	4
19	23783	SBE32 CAROUSEL 24 PLACE 12 LITER LOWER GUARD	1
20	23781	SBE-32 CAROUSEL 24 PLACE 5-12 LITER GUARD SIDE BAR 1	3
21	23782	SBE-32 CAROUSEL 24 PLACE 5-12 LITER GUARD SIDE BAR 2	3

UNLESS OTHERWISE SPECIFIED: DIMENSIONS ARE IN INCHES TOLERANCES: FRACTIONAL ± ANGULAR: ± 2 BEND ± .X ± .1 TYP RAD .015 .XX ± .01 .XXX ± .005 MACHINED SURFACES INTERPRET GEOMETRIC TOLERANCING PER: ANSI Y14.5M - 1994 MATERIAL na FINISH N/A DO NOT SCALE DRAWING	NAME	DATE	SEA-BIRD ELECTRONICS, INC. 1808 - 136th PLACE NE, BELLEVUE, WA 98005 425-643-9866 TITLE: 1.375" frame, 24 place, 12 liter P/N: none SIZE DWG. NO. REV B 41437 SCALE: 1:2 SHEET 5 OF 6
	DRAWN	KLP 8.25.05	
	PROPRIETARY AND CONFIDENTIAL THE INFORMATION CONTAINED IN THIS DRAWING IS THE SOLE PROPERTY OF SEA-BIRD ELECTRONICS, INC. ANY REPRODUCTION IN PART OR AS A WHOLE WITHOUT THE WRITTEN PERMISSION OF SEA-BIRD ELECTRONICS, INC. IS PROHIBITED. COMMENTS:		
	DEBUR AND BREAK SHARP EDGES Old Part/Draw Info N/A /N/A		

REVISIONS				
ZONE	REV.	DESCRIPTION	DATE	APPROVED



ITEM NO.	PART NUMBER	DESCRIPTION	extension frame/QTY.
2	23714	SBE32 1.375"frame Cage U-bolt	6
3	23715	SBE32 1.375"frame Cage Flange	6
8	23724	SBE-32 CAROUSEL 24 PLACE 5-12 LITER EXTENSION STAND	1
13	30210	Nut, 3/8-16 Nylon Stop	12
15	30257	WASHER, 3/8 FLAT, SS, 7/8" OD MAX	12
27	23783	SBE32 CAROUSEL 24 PLACE 12 LITER LOWER GUARD	1
28	23781	SBE-32 CAROUSEL 24 PLACE 5-12 LITER GUARD SIDE BAR 1	3
29	23782	SBE-32 CAROUSEL 24 PLACE 5-12 LITER GUARD SIDE BAR 2	3

UNLESS OTHERWISE SPECIFIED: DIMENSIONS ARE IN INCHES TOLERANCES: FRACTIONAL ± ANGULAR: ± 2 BEND ± .X ± .1 TYP RAD .015 .XX ± .01 .XXX ± .005 MACHINED SURFACES INTERPRET GEOMETRIC TOLERANCING PER: ANSI Y14.5M - 1994 MATERIAL na FINISH N/A DO NOT SCALE DRAWING	NAME	DATE	SEA-BIRD ELECTRONICS, INC. 1808 - 136th PLACE NE, BELLEVUE, WA 98005 425-643-9866 TITLE: 1.375" frame, 24 place, 12 liter P/N: none SIZE DWG. NO. REV B 41437 SCALE: 1:2 SHEET 6 OF 6
	DRAWN	KLP 8.25.05	
	PROPRIETARY AND CONFIDENTIAL THE INFORMATION CONTAINED IN THIS DRAWING IS THE SOLE PROPERTY OF SEA-BIRD ELECTRONICS, INC. ANY REPRODUCTION IN PART OR AS A WHOLE WITHOUT THE WRITTEN PERMISSION OF SEA-BIRD ELECTRONICS, INC. IS PROHIBITED. COMMENTS:		
	DEBUR AND BREAK SHARP EDGES Old Part/Draw Info N/A /N/A		